

☆ Match and say the word.

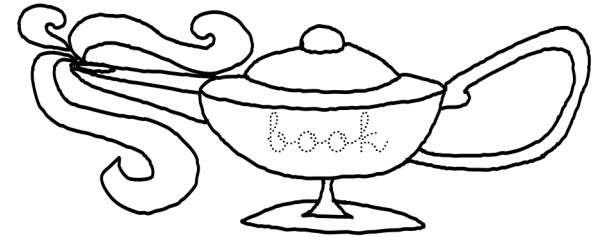
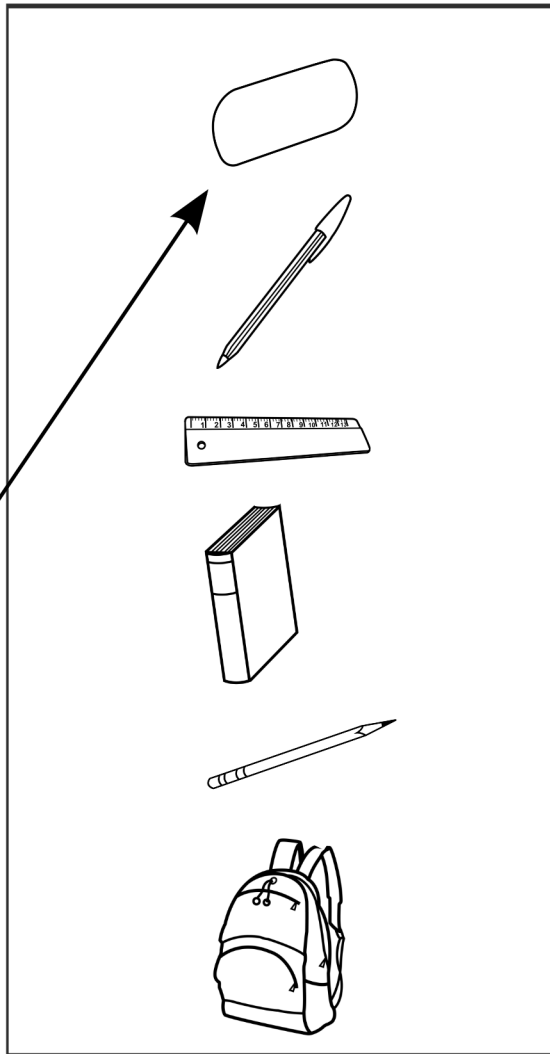
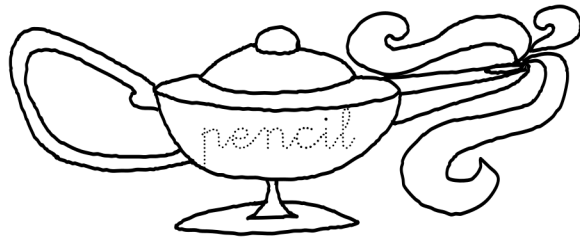
☆ Trace.

Name:

Surnames:

Date:

SCHOOL OBJECTS



pencil - rubber - ruler
pen - bag - book